



One-Stop Data-Shop for Cutting Tools

ToolsUnited – Search engine and tool data source

Ahead of competition, that's your goal. That's why you need the latest technologies for your operations. That's why you use advanced software for process engineering, nc-verification and procurement. That's why you bank on local distribution to get expert advice and to avoid stock outs.

But:

- How do you keep up-to-date in machining technology?
- How do you populate your engineering and CAM-system with tool data and 3D-graphics?
- How do you find a local distributor if you need a tool quickly?

ToolsUnited is the answer.

Tool search

ToolsUnited provides well established features for tool search.

- Queries start via the tool groups across different suppliers
- Parametric search by geometric properties
- Search by application and workpiece material
- Guided search to build tool assemblies of components from different suppliers
- Cross reference of workpiece materials in 10 national standards

Where-to-Buy?

You found the right tool for your application and you need it now? ToolsUnited will display "Where-to-Buy" links for each tool.

Simply click the link to be transferred to the respective distributor. The links displayed at the top of the search result page lead to preferred distributors. All other distributors carrying the tool will be displayed at the bottom of the search results page.

3D tool models for your CAD/CAM-System

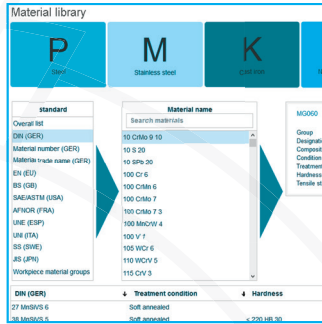
Add the respective 3D-graphics for nc-verification to your shopping list. You may download the standardized 3D-models for each tool component. Or you configure a tool assembly first and then download the complete tool – the guided search works across different suppliers.

Customize and download tool libraries

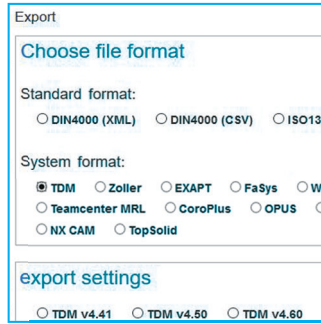
A major benefit of ToolsUnited is the convenient way to download tool data. You may compose your personal tool library along the three dimensions of tool group (application), supplier and content (geometry, speeds & feeds, graphics).

Direct access – online!

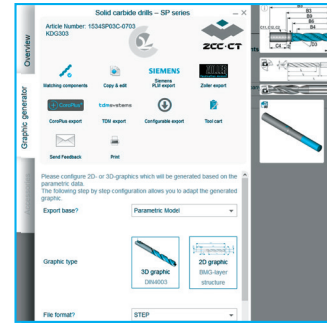
ToolsUnited supports the direct access from several CAM- and Toolmanagement-Systems. You may search the data base as if it was part of your CAM-system. Ask your software vendor for the matching **ToolsUnitedDirect** interface.



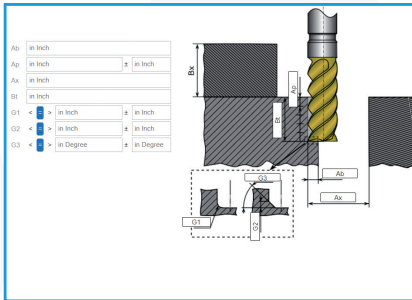
Material library



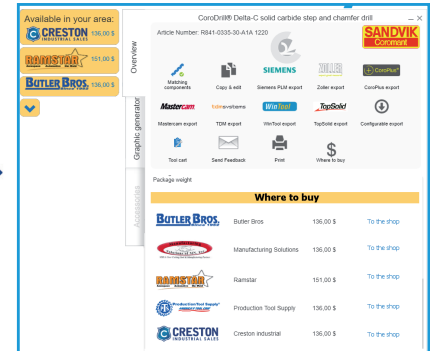
Export engine



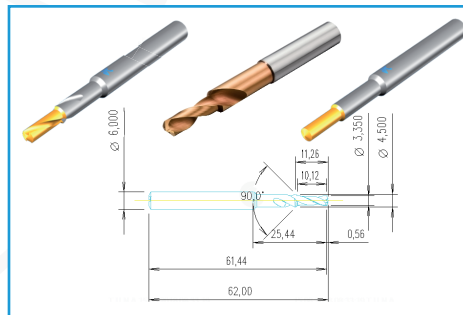
3D graphic generator



Application search and tool retrieval



Where-to-Buy guides you to the local distributor of your choice



Digital twins of tool components or tool assemblies for CAM-applications

CIMSOURCE GmbH

Since 1992, the birth date of the tool data exchange format StOB, CIMSOURCE structures the product databases of tool suppliers and organizes the tool data of manufacturing operations. Key to CIMSOURCE's achievements since then is the unique combination of IT know-how and manufacturing expertise.

Formerly a division of CIM Aachen GmbH, CIMSOURCE was established as an independent corporation in 2013, extending it's services beyond software. Tool suppliers rely on CIMSOURCE as their distributor for the digital factory. Manufacturing operations expect 100% tool data for Tool Management and NC-verification. What you don't find on ToolsUnited, CIMSOURCE will get for you. Bank on CIMSOURCE as your single source for tool data!



CIMSOURCE GmbH
Kasernenstraße 22
52064 Aachen
Germany

fon +49 241 888 77 - 0
fax +49 241 888 77 - 10

info@cimsource.com
www.toolsunited.com